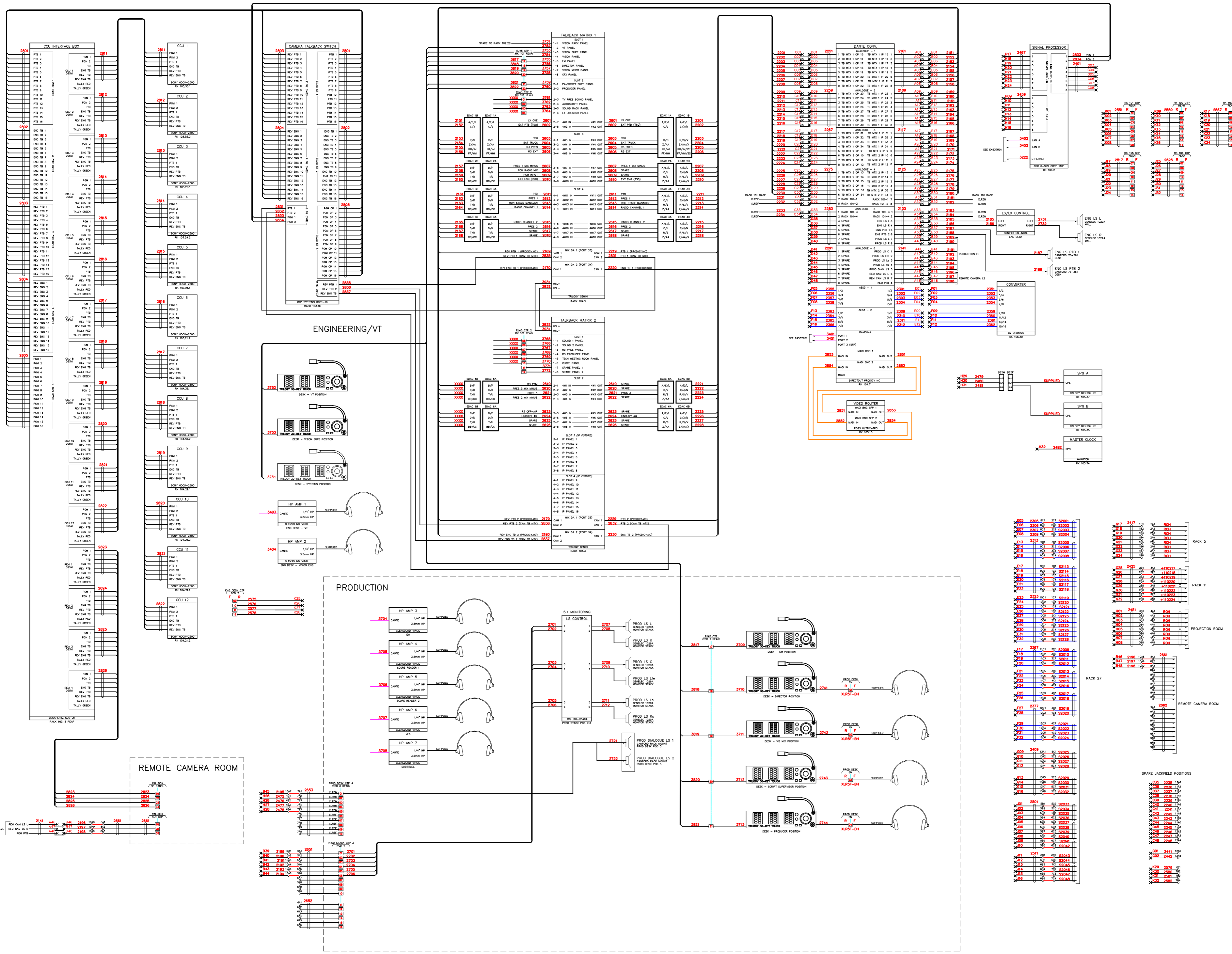


Zone	Rev	Description	Revised By	Date	Approval
ALL	A	FIRST ISSUE	MFR	19/04/19	
ALL	B	MINOR UPDATES	MFR	11/07/19	
ALL	C	CHANGES TO TROLY CAM MIX Dns	MFR	11/07/19	
ALL	D	AS BUILT	MFR	11/07/19	



UNIT 39 LANCASTER WAY
WITCH BROD, ELY
CAMBRIDGESHIRE
CB6 3NW
UNITED KINGDOM
(TEL) +44 (0)1353 645000
(FAX) +44 (0)1353 658919

www.megahertz.co.uk

© 2019 MEGHERTZ LIMITED
The contents of this document are confidential and are not to be disclosed to a third party without the prior written permission of MEGHERTZ LTD

Project Approved

ROYAL OPERA HOUSE
COVENT GARDEN

Proj. Mgr.: KN
Designer: MFR
Approved: MFR
Drawn: MFR
Scale: N.T.S.
File Ref.: (ENGINEER WORK SHEET AND DRAWING SHEET)

Proj. Start Date: 22/05/19
Last Plot: 11/07/19
Issue Date: 11/07/19
Last Rev. by: MFR
No. of sheets: 1 of 1

ROYAL OPERA HOUSE
ROH
MEDIA SUITE
AUDIO SCHEMATIC

Rev: A2 4537 E4537A01 D